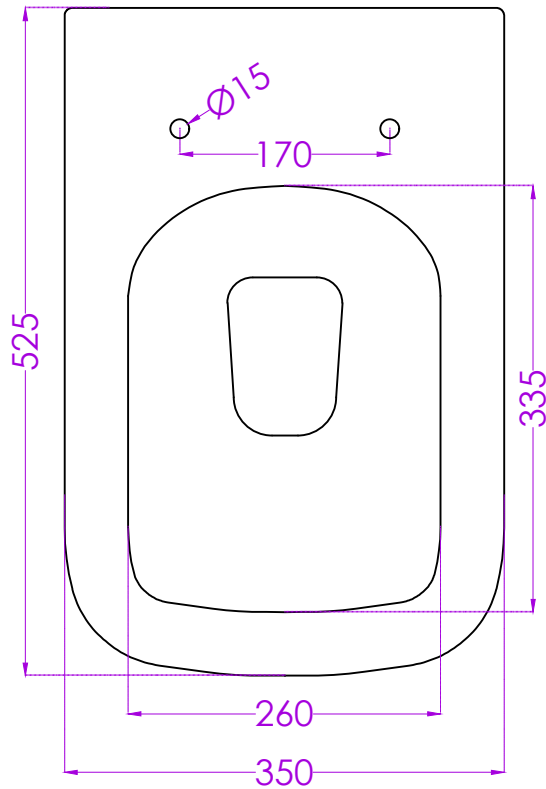


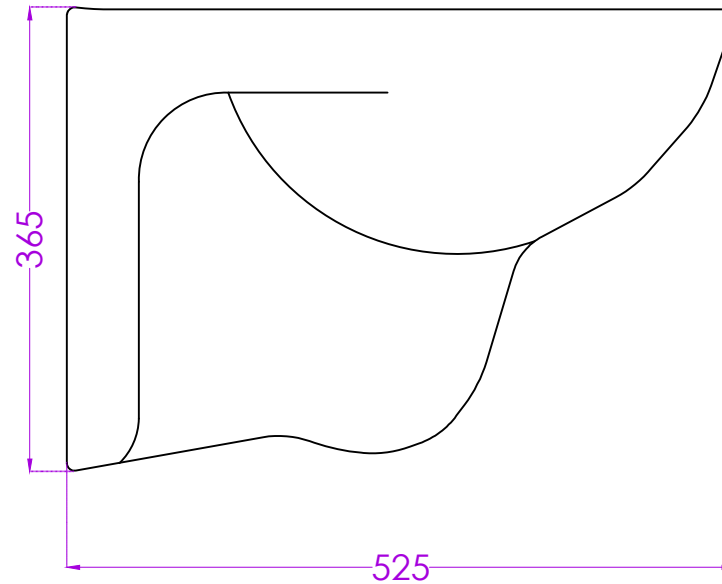
# FUSION PLUS P10164APW0004

## WALL HUNG WATER CLOSET

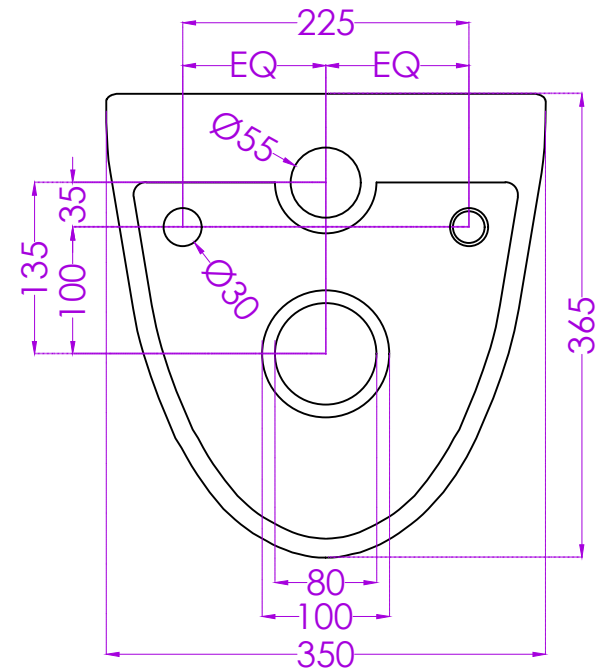
# JOHNSON



PLAN



SIDE



BACK